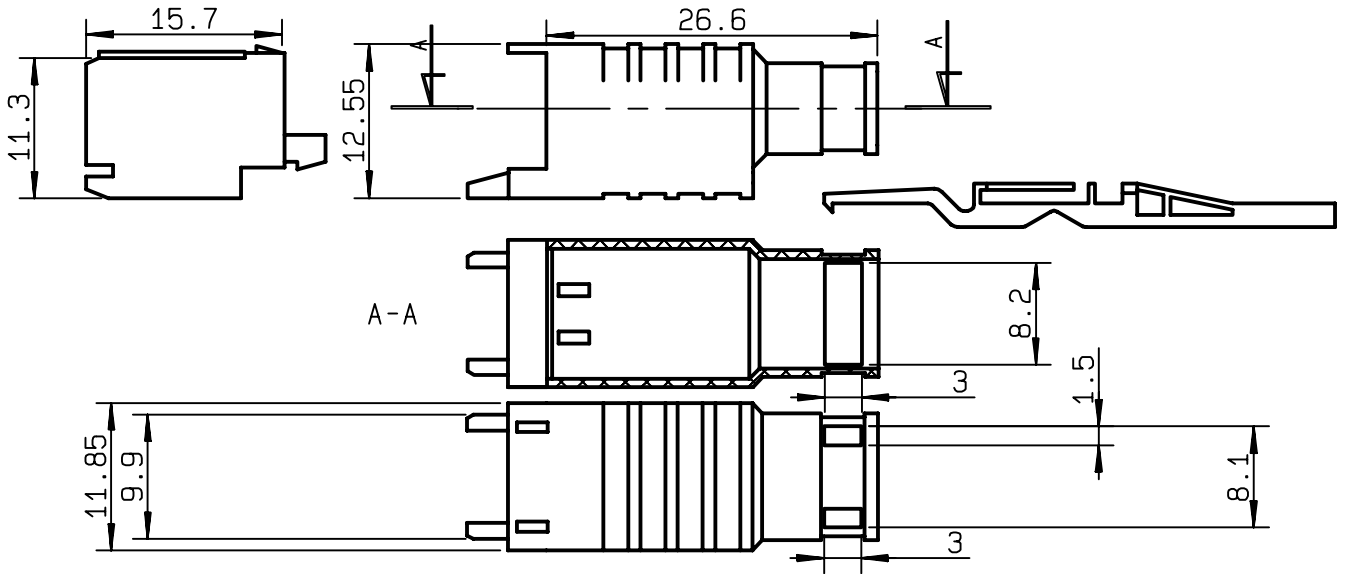


**CABLE ASSEMBLY KIT= COVER + LATCH
+ HOUSING PACK. 100**

R280.420.058
SERIES ACC-COAX



NOMINAL IMPEDANCE	NA	Ω	CABLES :	
FREQUENCY RANGE	NA	GHz		
TEMPERATURE RATING	-25/+125	°C		
V.S.W.R	NA +	x F(GHz)Maxi		
RF INSERTION LOSS	NA	√F(GHz) dB Maxi		
VOLTAGE RATING	NA	Veff Maxi		
DIELECTRIC WITHSTANDING VOLTAGE	NA	Veff Mini		
INSULATION RESISTANCE	NA	MΩMini	OTHERS CHARACTERISTICS	
HERMETIC SEAL	NA	Atm.cm ³ /s	CABLE RETENTION	NA N Mini
LEAKAGE (pressurized only)	NA		CENTER CONTACT RETENTION	
MECHANICAL DURABILITY		Cycles	Axial force - mating end	NA N Mini
WEIGHT	3.2	gr	Axial force - opposite end	NA N Mini
SPECIFICATION			Torque	NA cm.N Mini
			RECOMMENDED TORQUES	
			Mating	NA cm.N
			Panel nut	NA cm.N
			Clamp nut	NA cm.N

CONNECTOR PARTS:	MATERIALS	FINISH	(all values are given) in micrometers
BODY			
OUTER CONTACT			
CENTER CONTACT			
INSULATOR	LIQUID CRISTAL POLYMER		
GASKET			
OTHERS PIECES	POLYAMID 6/6 (NYLON)		

ISSUE	CREATION DATE	FILE PART-NUMBER
0234B00	04/05/1998	EPC 95-08



Connect to the future

The information given here is subject to change without notice.
Design changes may be in order to improve the product .

BAFFERT